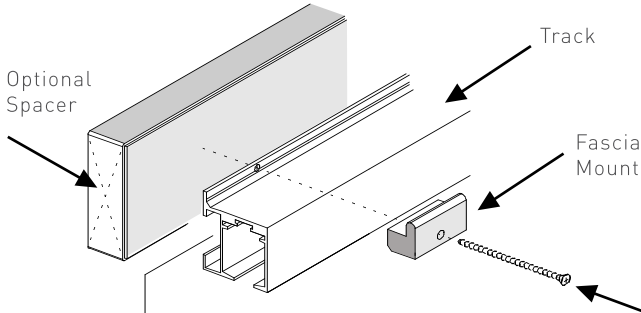
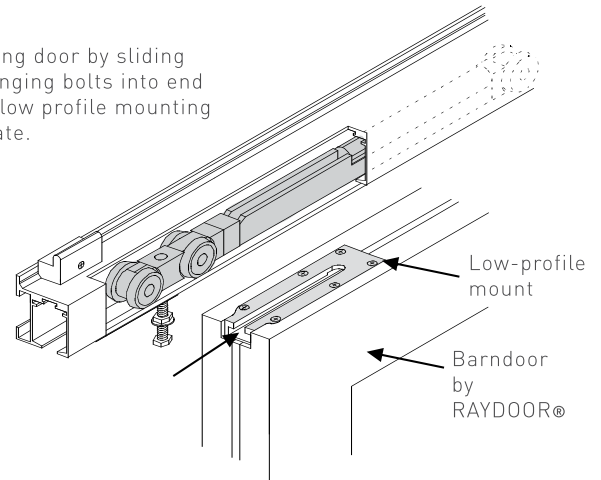




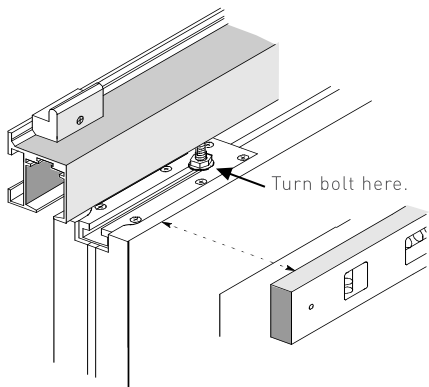
- 1** Mount track to wall, *anchoring to wall studs.**
If you have baseboard or other trim use provided spacer between track and wall. Feed screws through fascia mounts.



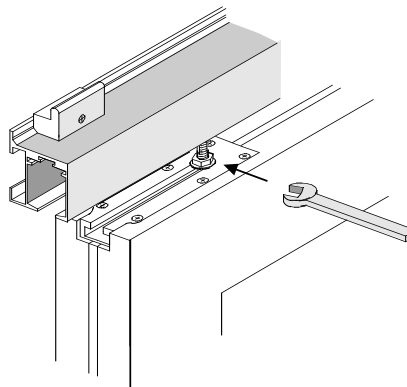
- 2** Hang door by sliding hanging bolts into end of low profile mounting plate.



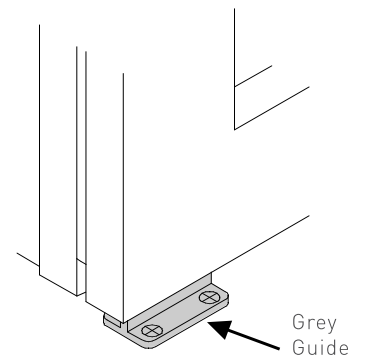
- 3** Check to see if door is level. If height needs adjustment, use wrench to turn bolt up or down as necessary.



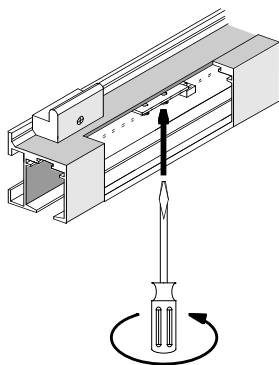
- 4** Tighten lock nut after mounting (and adjusting if necessary).



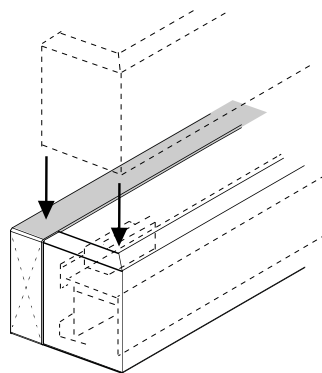
- 5** Attach grey floor guide to floor. **



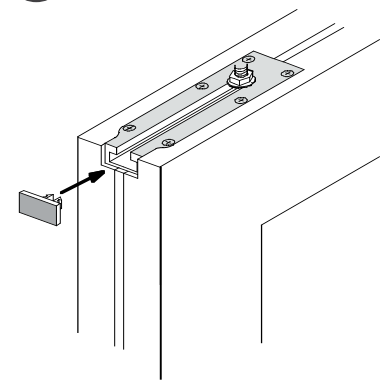
- 6** Set soft close catch so that door does not travel past grey guide.



- 7** Attach fascia by sliding over track and slotting projecting fascia mounts into fascia.



- 8** Insert caps into low-profile mounting plate.



Track must be mounted securely to framing or blocking - track must be level even if floor and ceiling are not. Panels weigh approx 60 lbs. apiece - reinforcement may be necessary. It is the responsibility of the installer to determine.

*Drilling additional holes in wall flange of track may be necessary.

**Grey guides must be placed on the floor. By setting track stops and limiting the doors' travel, grey guides will always be concealed by the door.



RAYDOOR[®]
Sliding Walls & Doors

INSTALLATION MANUAL

Barn Door



Header Detail View



Completed Install View

Included With This Box

- 1 - Wall Mount Track
(pre-loaded with soft close carrier, tracks stops & catch)
- 1 - Grey Floor Guide
- 3 - Fascia Mounts
- 2 - XRDLP End-Caps
- 1- Fascia Spacer/ Nailer

For Install You Will Need:

- Mounting Screws
(3-1/2" min., suitable for wall type)
- Measuring Tape
- Level
- Drill
- Screw Driver